

VARUN IMPEX

Solutions for Furniture Industry

BASE & TALL PULL OUT

Sr. No.	Product Description	Page No.
1.	Base Pull Out-150mm	3
2.	Base Pull Out-300mm	4
3.	Larder Pull Out-300mm with 5 Basket	5
4.	Larder Pull Out-450mm with 5 Basket	6
5.	Maxi Pull Out-600mm with 5 Basket	7
6.	Four Side Drawer-600mm	8
7.	Swing Out Pantry-600mm with 5 Basket	9
8.	Angoli Corners	10
9.	Fly Box	11

VARUN IMPEX

Our collection of base pull-out elements, multi functional or suspended matching our product lines for kitchen furnishings. Our pull-outs shall be assembled at the base of finishes o at their side. A full range of kitchen accessories specially designed to store all the objects you can find in a modern kitchen, which are equipped, at times, with components for specific tools (knives, bread bags, chopping boards etc.).

Complete and well-defined concept. Urban presents a clean, essential and functional design that easily suits to any furnishing style comfort. Characterized by a single aluminium solid rail obtained through a particular processing and by a full melamine base. Versatility and compatibility thanks to the wide range of solutions: pull-out units, drawers and larder units suitable to any type of furniture. All accessories are equipped with full extension runners, purposely developed to last over the time.

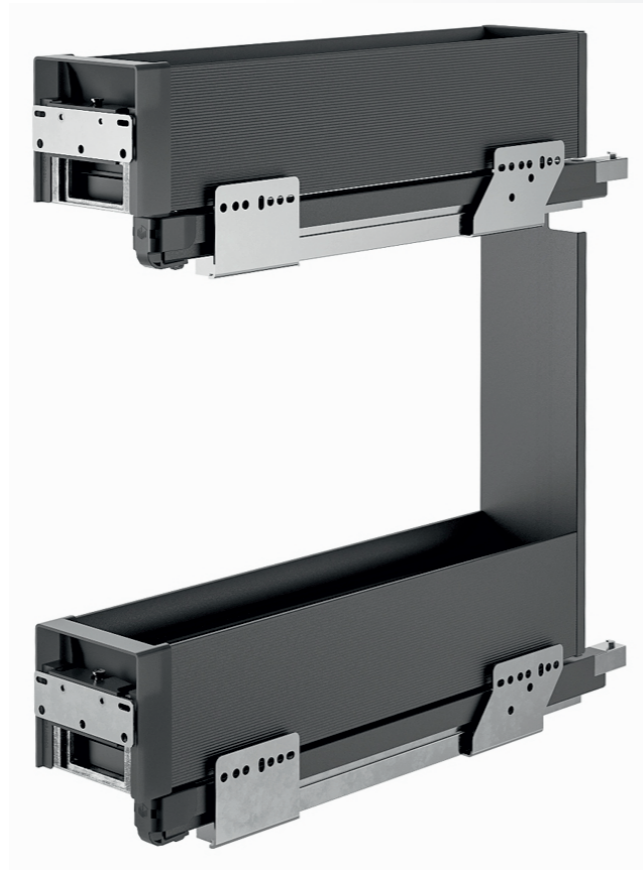


Base Pull Out-150mm

Side Base Pull-out Unit

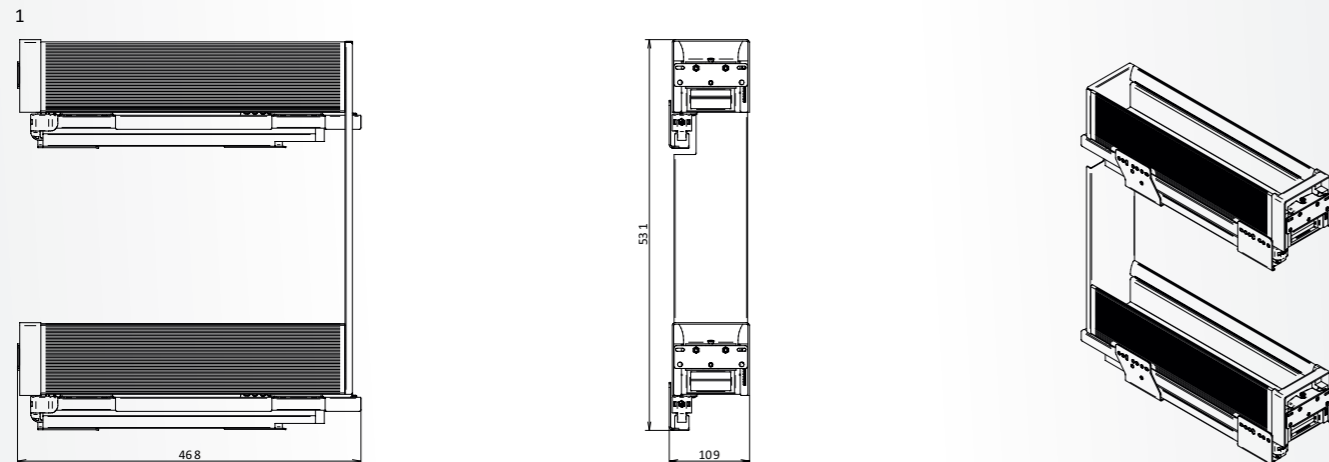
Two-tier side-mounted base pull-out unit, melamine bottom and aluminium solid rail, D 468 mm with full extension slides and soft close. Ultra easy and quick releasing system of the slides with three-way adjustable door brackets.

CODE	W	D	H
ELQGM152SXU	150	468	531



Technical Details

Overall dimensions



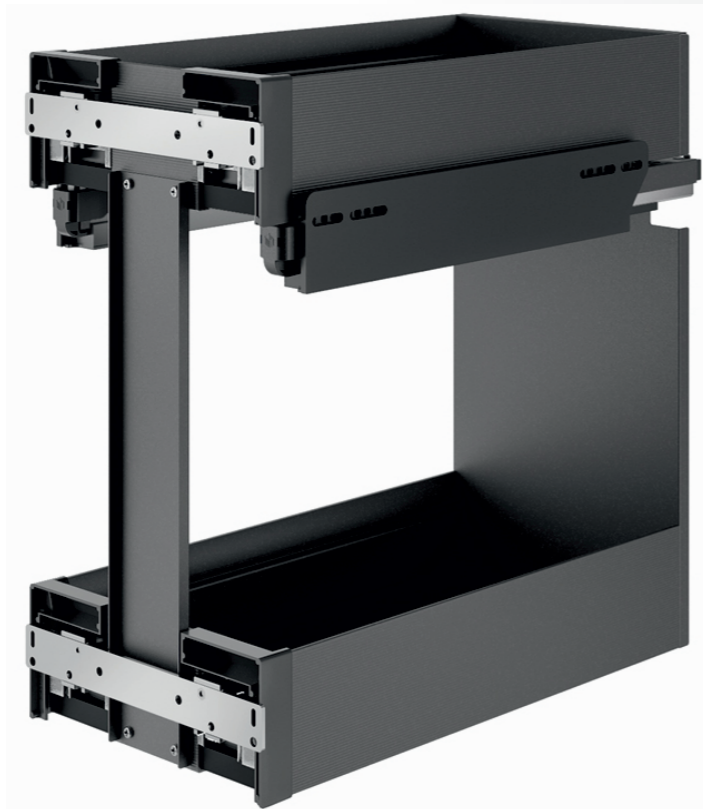
BASE & TALL PULLOUTS

Base Pull Out-300mm

Base Pull Out Unit

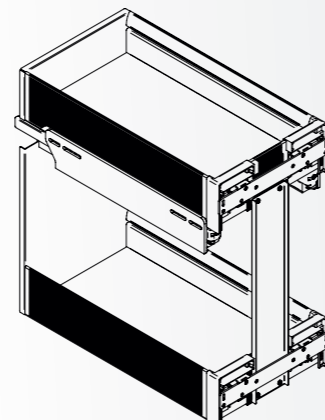
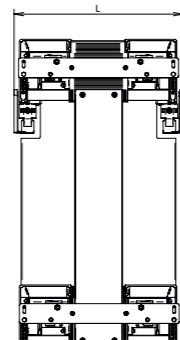
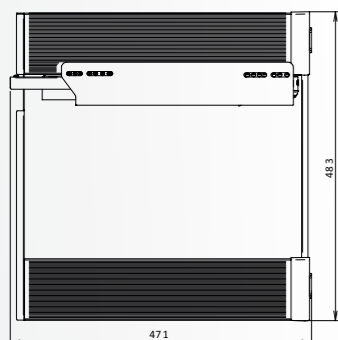
Two-tier base pull-out unit, melamine bottom and aluminium solid rail, D 471mm, with full extension slides and soft close. Ultra easy and quick releasing system of the slides with three-way adjustable door brackets.

CODE	W	D	H
EGTGM30B2U	300	471	483



Technical Details

Overall dimensions



BASE & TALL PULLOUTS

Larder Pull Out-300 & 450mm with 5 Basket

Column Frame with Roller Guides

Kit composed of height adjustable frame kit and full extension runner with soft close (load capacity 120 kg).

CODE	W	D	H
CE1905GCFTM	300	487	1760-2200
CE1905GCFTM	450	487	1760-2200



Column Basket

Larder unit basket with melamine bottom & aluminium solid rail. The basket can be easily installed on the frame. The basket is hooked and locked in the holes of the frame through an easy click.

CODE	W	D	H
CC30U	300	485	100
CC45U	450	485	100



Door Bracket and Fixing Adjustment

Kit consisting of: 1 door mounting bracket and mounting hardware. Fast application to frame internal holes.

CODE	W	D	H
CK130N	300	40	45
CK145N	450	40	45



Righting for Column Sides

Linking kit that allows to straighten the size of the cabinet. Suitable for all cabinet doors with full extension runners.

CODE	W	D	H
KRCE30	300	52	85
KRCE45	450	52	85



BASE & TALL PULLOUTS

Maxi Pull Out-600mm with 5 Basket

Maxi Column Frame

Pull-out frame for maxi-larder unit. Opening door to 120°. Reversible: right = left.

CODE	W	D	H
CEM60S/17	600	488	1845



Maxi Column Basket

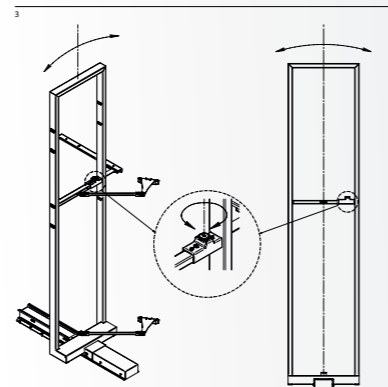
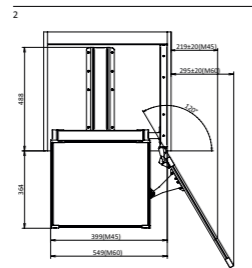
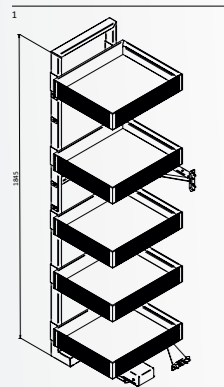
Maxi larder unit basket with melamine bottom and aluminium solid rail. Basket can be easily installed on the frame.

CODE	W	D	H
CC30U	600	407	117



Technical Details

Overall dimensions



Four Side Drawer-600mm (Single Piece)

Four Side Drawer

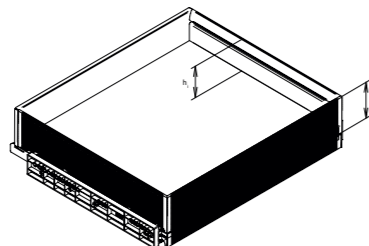
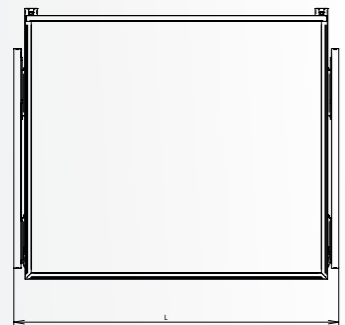
H 96 four-side drawer, melamine bottom and aluminium solid rail, D 468 mm, with full extension slides and soft close.

CODE	W	D	H
CCTGM60U	600	468	96



Technical Details

Overall dimensions



BASE & TALL PULLOUTS

Swing Out Pantry-600mm with 5 Basket

Pull Out Inside Baskets

2 H. 96 inner baskets with melamine bottom and aluminium solid rail.
(For mechanism H 1675 recommended n.3 kits with 2 baskets.)

CODE	W	D	H
EDCI60M2U	600	265	96



Pull Out Door Baskets

2 H 96 door baskets with melamine bottom and aluminium solid rail.
(For mechanism H 1675 recommended n.3 kits with 2 baskets.)

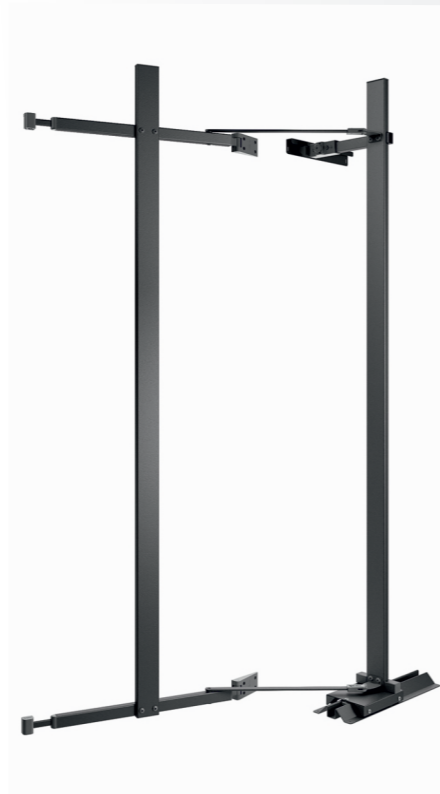
CODE	W	D	H
EDCP60M2U	600	150	96



Double Pull Out Frame

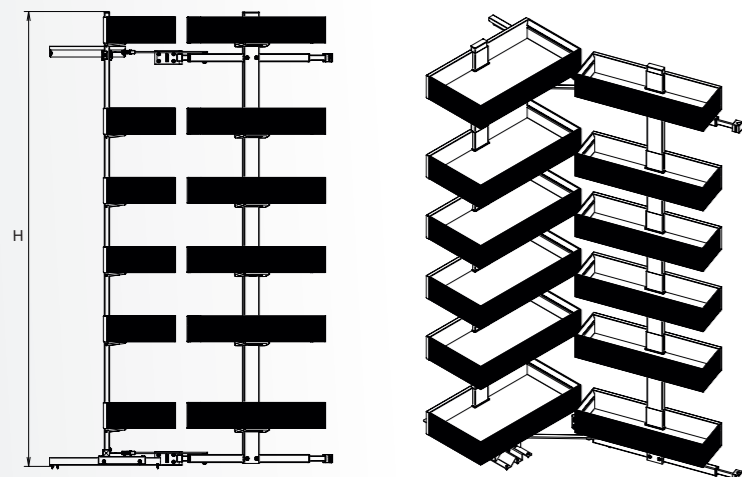
Swing out pantry unit mechanism H 1675 mm height. 120° door opening. Load capacity 80 kg. Reversible

CODE	M	W	D	H
EDS1706/19	60	600	489	1675



Technical Details

Overall dimensions



Blind Corner

Fly Moon Base Mechanism

Fly Moon angular mechanism 3.0 for corner base with door 45. Adjustable in height from 655 to 705 mm, prepared for n.2 tiers. With soft close 45.

Fly Moon Shelves

Kit made up of n.2 pull-out shelves for Fly Moon mechanism, base and column. Containment profile in one-piece aluminium and melamine background. Load capacity 20kg per shelf. Not reversible.

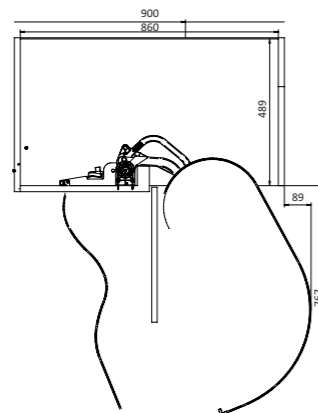
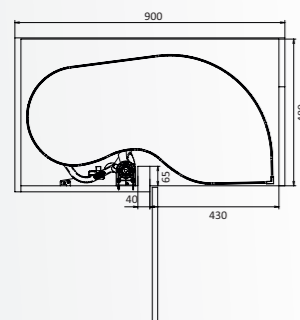


CODE	W	D	H
FLY3STM2DX (R)	45	✓	680 + 25
FLY3STM2SX (L)	45	✓	680 + 25



Technical Details

Overall dimensions



Fly Box

Fly Box Base Mechanism

Fly Box angular mechanism for corner base with door 45. Prepared for n.2 tiers.
With soft close. Reversible.

Fly Moon Shelves

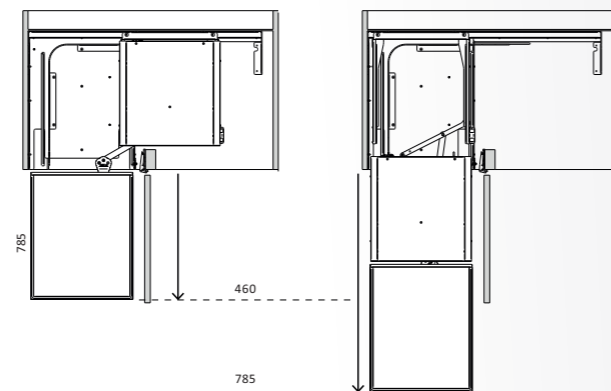
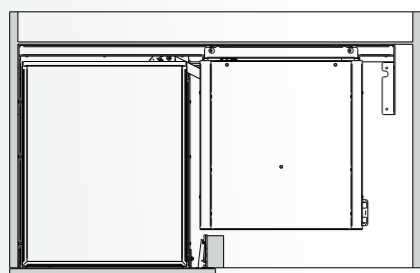
Kit made up of n.2 pull-put shelves for Fly Box mechanism base. Containment profile in one-piece aluminium and melamine bottom. Reversible.

CODE	Door	Soft	H
FLYB45UGM	450	✓	560

CODE	W	D	H
FLYBST452VGF	450	500	90

Technical Details

Overall dimensions



VARUN IMPEX

Address:

Gala No.1 & 4, Plot No.21, Papy
Industrial Estate, Umela Phata,
Vasai Road (West), Palghar - 401207.

Mob.: +91 9167883194

Email: varunimpexkba@gmail.com

Website: www.varunimpex.in