

VARUN IMPEX
Solutions for Furniture Industry

KITCHEN ACCESSORIES

INDEX



Nova Pro Plain Drawer

07



Nova Pro Railing Drawer

08



Nova Pro Railing Drawer with
Front Support

09



Nova Pro Inner Drawer

10

INDEX



Nova Pro Inner Drawer with
Square Railing

11



Nova Pro Inner Drawer Accessories
(Profile & Bracket)

12



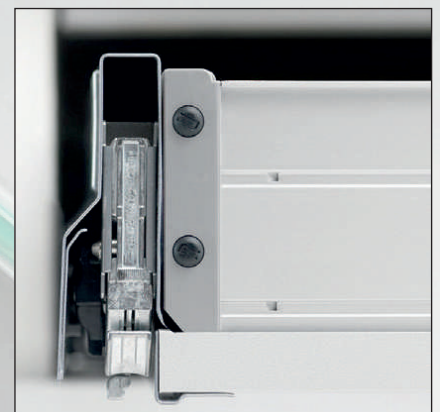
Grass Dynamoov Concealed Slides

13

VARUN IMPEX

Nova Pro is synonymous with functional beauty. This complete system is the expression of our never-ending passion for perfect movement system solutions.

Modern kitchen design often combines high fronts with low drawer sides. Optimal stability of these pot drawers is achieved with either the round or the rectangular railing in the Nova Pro range. With their slender, elegant design, they can be used for individual solutions. Cross-dividers provide additional support for all storage items.





Compact and cleverly designed, A smart solution.



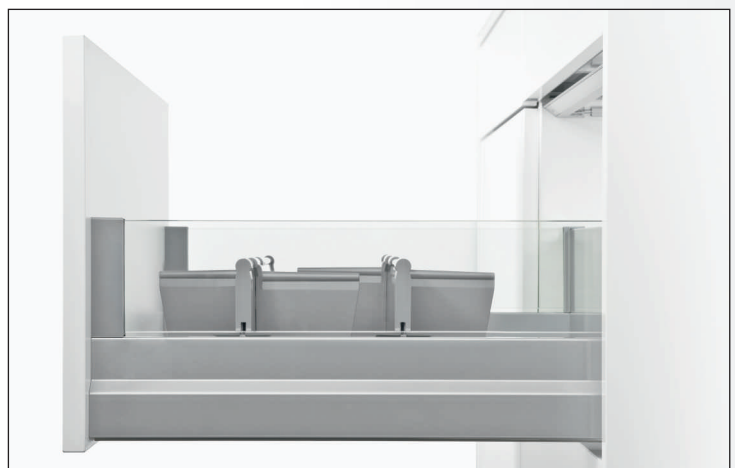
Nova Pro opening of drawers for maximum operating comfort. Action, Reaction, Interaction. Comfort cannot be more fascinating. Automatic touch-sensitive function, a gentle trigger is enough to initiate the movement of regular and pot drawers with handle-free fronts.

NOVA PRO DRAWER SYSTEM



The drawer sides can be easily connected to the bottom panel with the unique patented GRASS knock-in spike technology without the need for additional milled grooves. The back panels can be quickly and simply fitted with the back panel connection integrated into the drawer side. The easy-to-use 3D adjustment feature inside the drawer side as well as the optional depth adjustment ensures optimum front alignment.

Contemporary design is continued on the inside. Colour co-ordinated aluminium front panel for the inset drawers with a inset drawer.



Drawer System Nova Pro Classic

Nova Pro Plain Drawer

Product Feature:

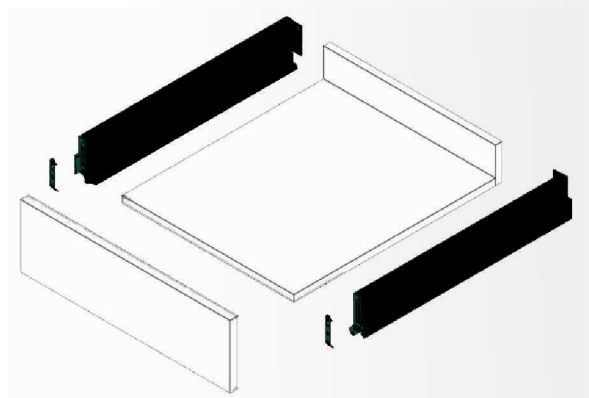
- *Fully synchronised slide technology without mid-way knock.
- *Excellent running characteristics.
- *Maximum stability.
- *Minimum drawer deflection.
- *Integrated height and side adjustment.
- *Drawer front can be fitted and removed without tools.
- *Bottom panel machining not required.
- *Width of bottom and black panel is the same.
- *Optimal use of storage space due to straight inside surfaces.
- *Narrow installation width.



Order Specification

NL	Weight
350mm	40kg
400mm	40kg
450mm	40kg
500mm	40kg
550mm	40kg
600mm	40kg

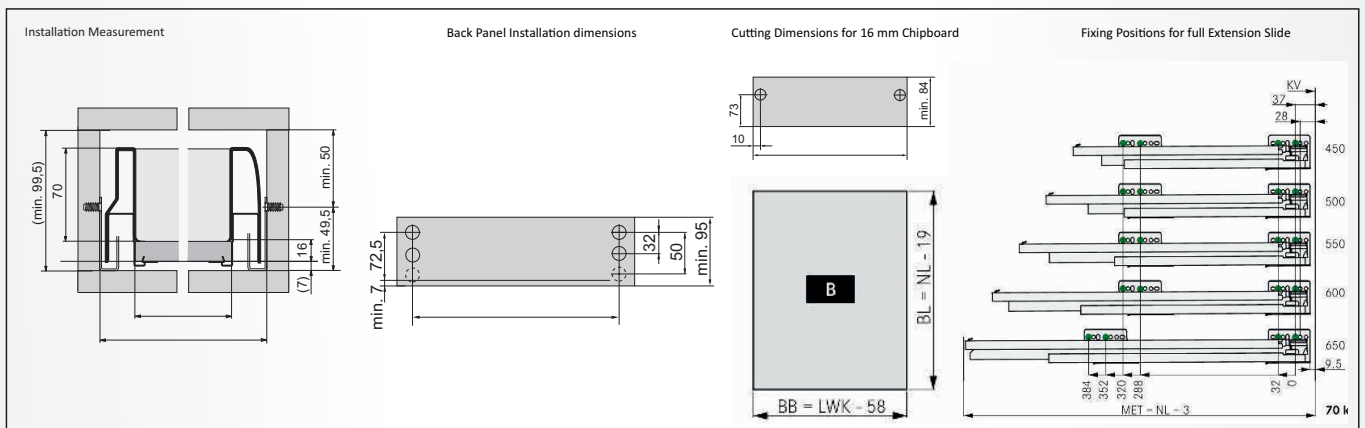
NL	Weight
500mm	70kg
550mm	70kg
600mm	70kg



Technical Details

Installation Information

All dimensions in millimetres



Nova Pro Railing Drawer

Product Feature:

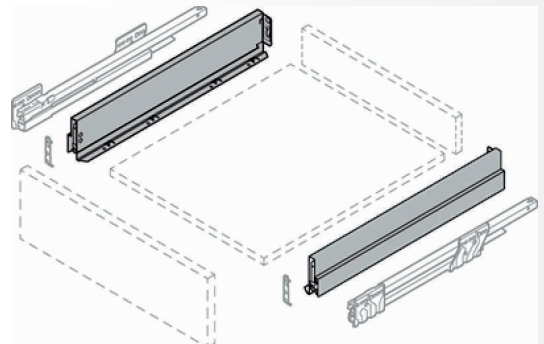
- *Elegant rectangular railing system.
- *Fully synchronised slide technology without mid-way knock.
- *Excellent running characteristics.
- *Maximum stability.
- *Minimum drawer deflection.
- *Integrated height and side adjustment.
- *Tilt angle adjustment using railing.
- *Drawer front can be fitted and removed without tools.
- *Bottom panel machining not required.
- *Width of bottom and black panel is the same.



Order Specification

NL	Weight
350mm	40kg
400mm	40kg
450mm	40kg
500mm	40kg
550mm	40kg
600mm	40kg

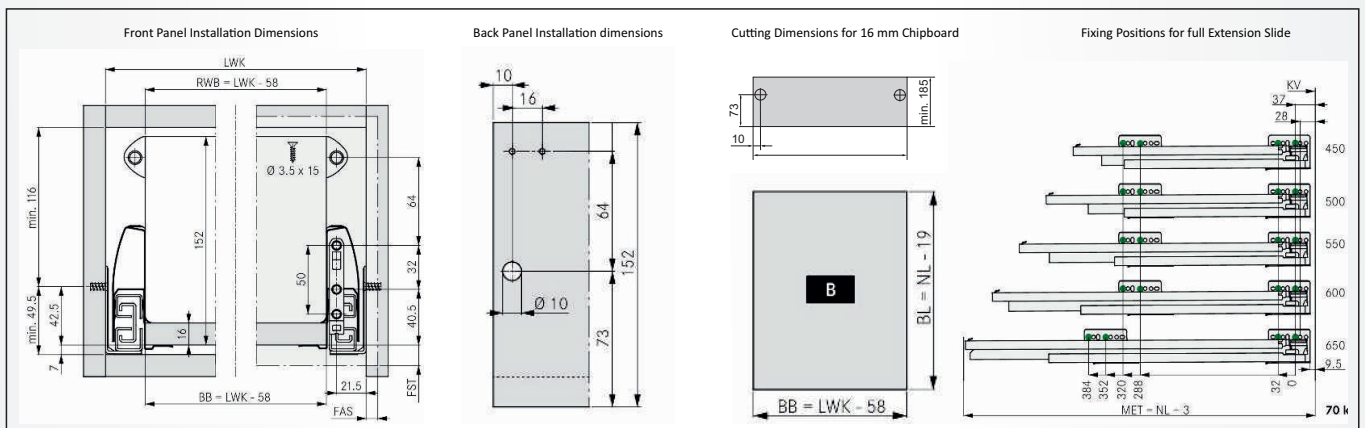
NL	Weight
500mm	70kg
550mm	70kg
600mm	70kg



Technical Details

Installation Information

All dimensions in millimetres



Nova Pro Railing Drawer with Front Support

Product Feature:

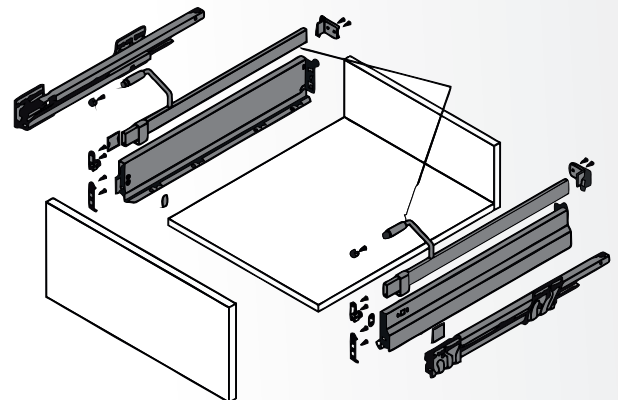
- *Additional fixing points for optimal stability with high fronts.
- *Fully synchronised slide technology without mid-way knock.
- *Excellent running characteristics.
- *Maximum stability.
- *Minimum drawer deflection.
- *Integrated height and side adjustment.
- *Tilt angle adjustment using railing.
- *Drawer front can be fitted and removed without tools.
- *Bottom panel machining not required.
- *Width of bottom and black panel is the same.



Order Specification

NL	Weight
500mm	40kg

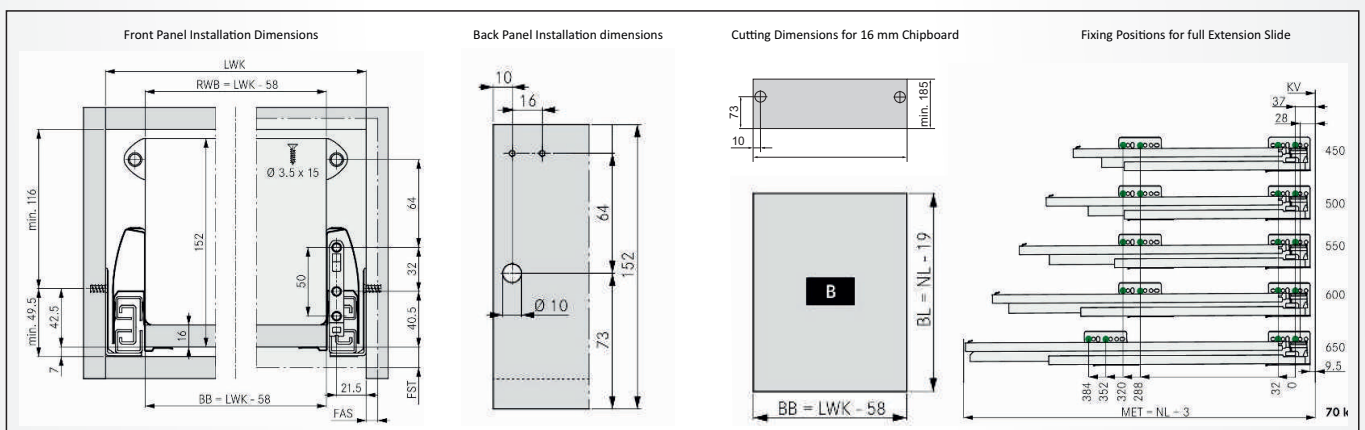
NL	Weight
500mm	70kg



Technical Details

Installation Information

All dimensions in millimetres



Nova Pro Inner Drawer with Square Railing

Product Feature:

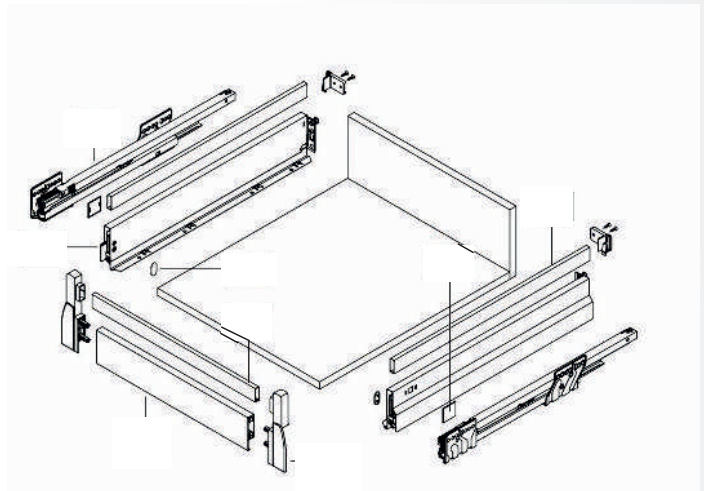
- *Elegant rectangular railing system.
- *Fully synchronised slide technology without mid-way knock.
- *Excellent running characteristics.
- *Maximum stability.
- *Minimum drawer deflection.
- *Front Panel can be fitted and removed without tools.
- *Bottom panel machining not required.
- *Width of Bottom and back panel is the same.



Order Specification

NL	Weight
450mm	40kg
500mm	40kg
550mm	40kg
600mm	40kg

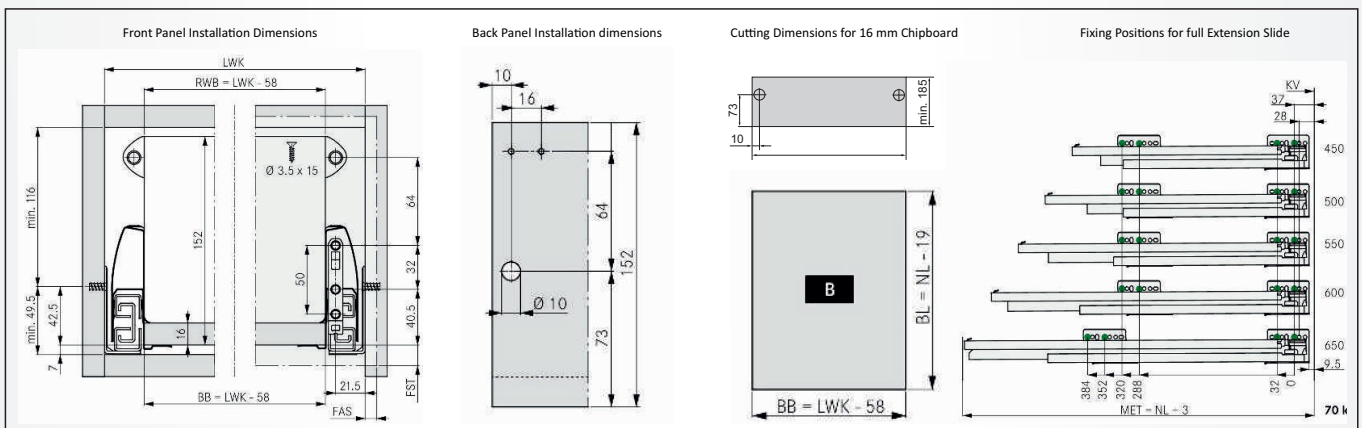
NL	Weight
500mm	70kg
550mm	70kg
600mm	70kg



Technical Details

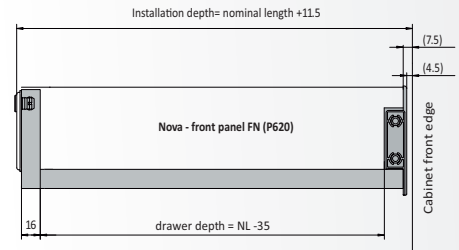
Installation Information

All dimensions in millimetres



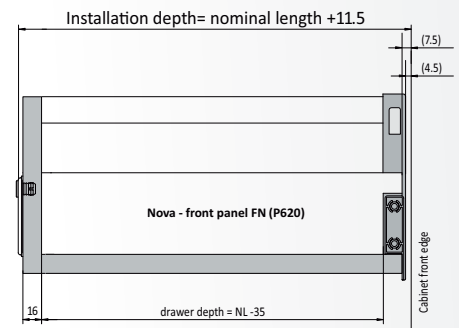
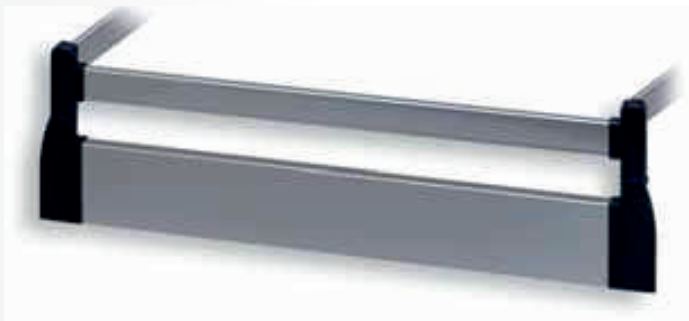
Nova Pro Inner Drawer Accessories (Profile & Bracket)

With this front you can turn your nova drawer into an interior pull-out. Suitable for nova sides with a height of 90mm.



Nova Pro Inner Drawer with Railing (Profile, Front Rail & High Front Bracket)

With this front you can turn your nova drawer into an inset drawer with railing. Suitable for nova sides with a height of 90mm.



Grass Dynamoov Concealed Slides

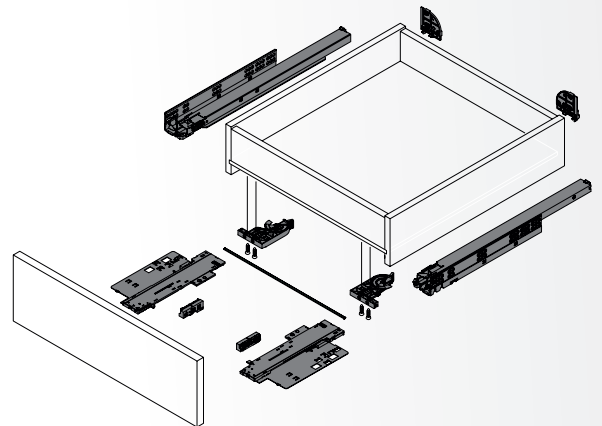
Product Feature:

- *Full extension drawer synchronised.
- *30kg load capacity.
- *Soft-close damping system.
- *Step less self-locking of the drawer when placed on the slide.
- *Integrated height adjustment without tools +3.5mm.



Order Specification

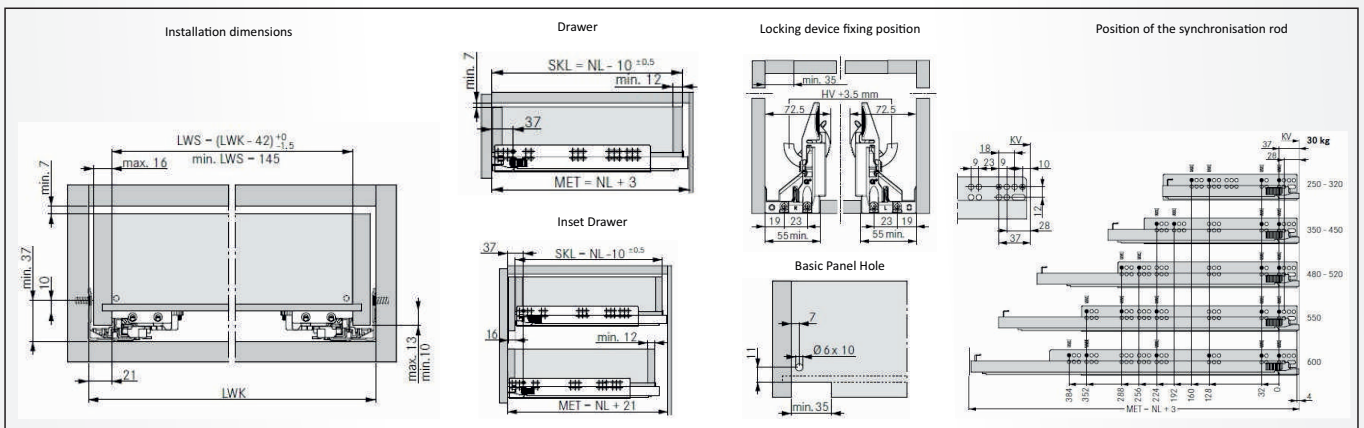
NL	Weight
350mm	30kg
400mm	30kg
450mm	30kg
500mm	30kg
550mm	30kg



Technical Details

Installation Information

All dimensions in millimetres



VARUN IMPEX

Address:

Gala No.1 & 4, Plot No.21, Papdy
Industrial Estate, Umela Phata,
Vasai Road (West), Palghar - 401207.
Mob.: +91 9167883194
Email: varunimpexkba@gmail.com
Website: www.varunimpex.in