

VARUN IMPEX
Solutions for Furniture Industry

NOVA PRO SCALA
STONE

INDEX



Nova Pro Scala Drawer H90

07



Nova Pro Scala Drawer H186

08



Nova Pro Scala Pot Drawer H90 with
Rectangular Railing

09



Nova Pro Scala Crystal Plus H186

10

INDEX



Nova Pro Scala Inset Drawer H90

11



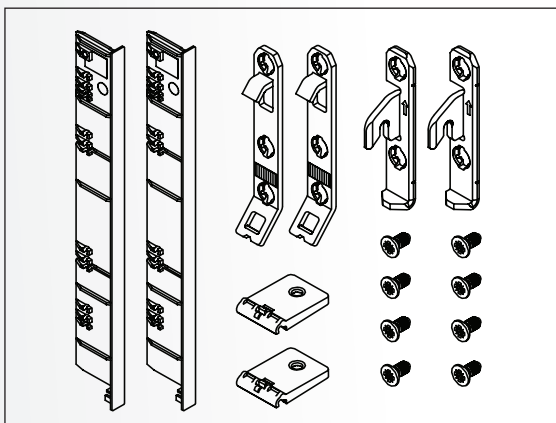
Nova Pro Scala Inset Drawer H90 with
Rectangular Railing

12



Nova Pro Scala Inset Drawer H186
Crystal Plus

13



Nova Pro Scala Inset Drawer Accessories

14

VARUN IMPEX

Extraordinary product solutions evolve as the result of a continuous innovative force and concentration on the needs of our customers. It is advisable to carry products that have won through as groundbreaking innovations into the future in an unchanged form. If as is the case with Nova Pro – it is proven over a decade that a concept was right, it is time to carry out carefully considered changes. The aim of our developers was therefore always to accommodate the track-proven technical features inside the high-tech drawer in the smallest possible space to give the design aspirations of furniture designers literally the greatest possible room for development. The result was an evolution based on the renowned Nova Pro concept: Nova Pro Scala.

The new Crystal Plus clip technology ensures simple assembly and removal as well as reliable attachment of the design elements. On Nova Pro Scala all visible plastic parts are covered with steel, eliminating colour differences between the individual parts. Everything is flush-fitting and matches perfectly to provide a harmonious, elegant impression.



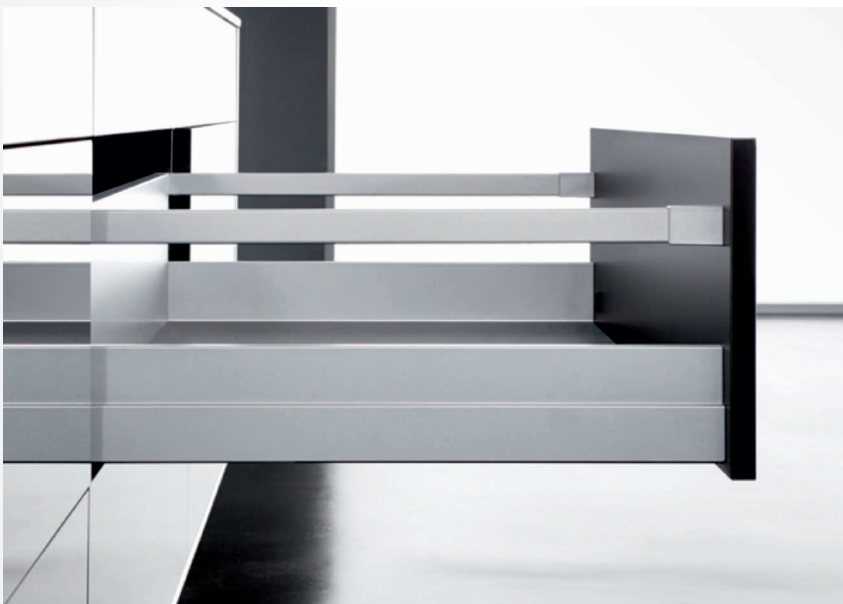
DRAWER SYSTEM NOVA PRO SCALA



The new interior accessory system is designed to avoid anything superfluous and to do what it is really aimed at: tidying up the content of drawers. Tavinea Sorto appeals with its sleek design and compelling system that couldn't be less complicated. Two frame elements, one divider rail. That's it. That is all you need.



DRAWER SYSTEM NOVA PRO SCALA



A modular system requires standards that can be combined.

In the case of Nova Pro Scala, these are five drawer side heights. Starting with a shallow drawer side particularly high closed sides. The drawer with a rectangular railing, the Crystal add-on system and the new Crystal Plus frame drawer. Combined with Nova Pro Classic and Deluxe, they create an extremely modular system for all price segments.

Drawer System Nova Pro Scala Stone

Nova Pro Scala Drawer H90

Product Feature:

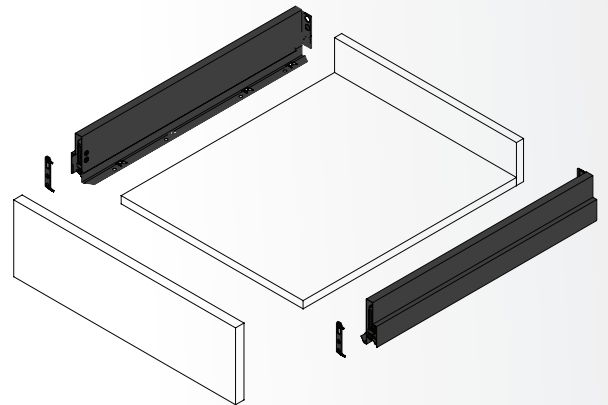
- *The practical standard drawer for all applications.
- *Can be personalized with designer panels.
- *Integrated height and side adjustment.
- *Optimum use of space due to straight inside surfaces and low construction width.
- *Robust design and high level of stability.
- *Tool-free installation and removal of the front.
- *Width of bottom and back panel is the same.
- *Bottom panel machining not required.



Order Specification

NL	Weight
400mm	40kg
450mm	40kg
500mm	40kg
550mm	40kg
600mm	40kg

NL	Weight
500mm	70kg
550mm	70kg
600mm	70kg

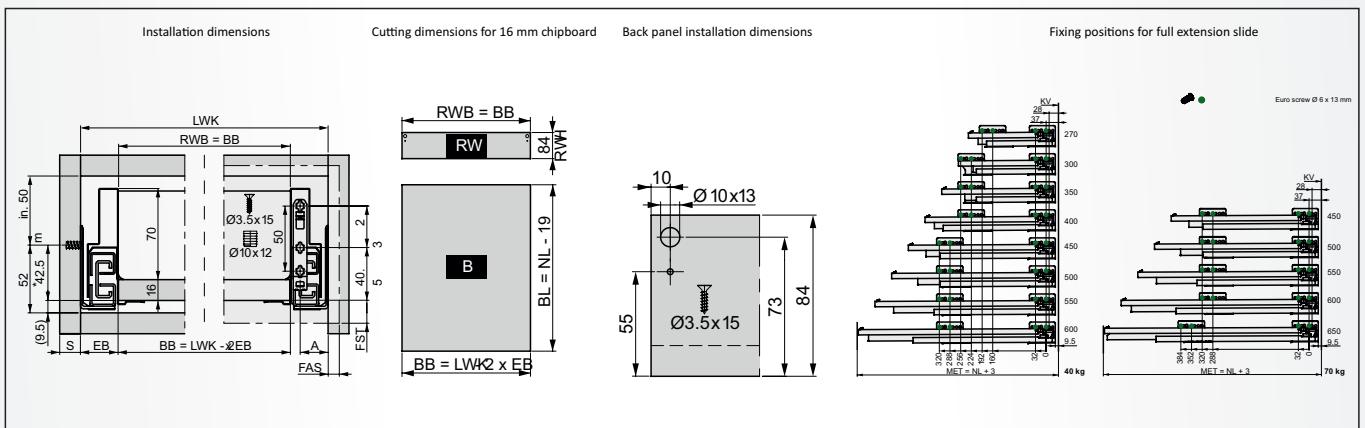


Technical Details

Installation Information

All dimensions in millimetres

S	16	18	19
EB	29	30	29
A	21.5	22.5	21.5



DRAWER SYSTEM NOVA PRO SCALA

Nova Pro Scala Drawer H186

Product Feature:

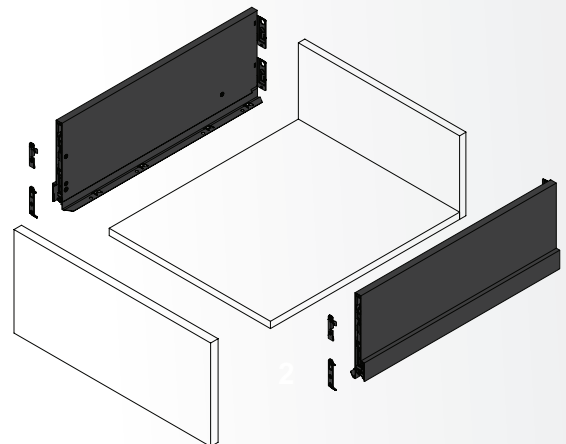
- *Slim, closed drawer side.
- *High stability up to a front height of 780mm.
- *Can be personalized with designer panels.
- *Integrated height, side and tilt angle adjustment
- *Optimum use of space due to straight inside surfaces and low construction width.
- *Tool-free installation and removal of the front.
- *Width of bottom and back panel is the same.
- *Bottom panel machining not required.



Order Specification

NL	Weight
500mm	40kg

NL	Weight
500mm	70kg

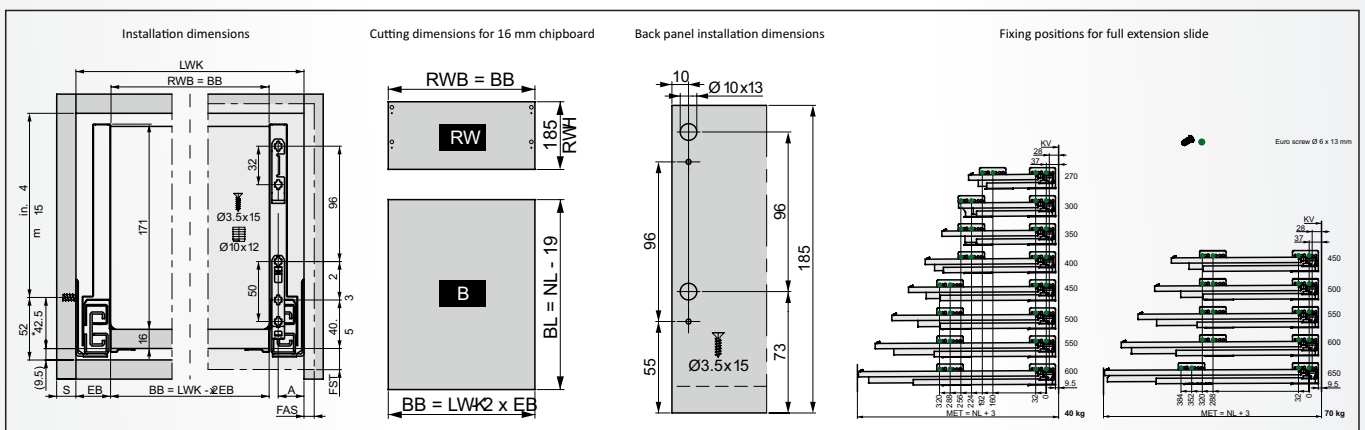


Technical Details

Installation Information

All dimensions in millimetres

S	16	18	19
EB	29	30	29
A	21.5	22.5	21.5



Nova Pro Scala Pot Drawer H90 with Rectangular Railing

Product Feature:

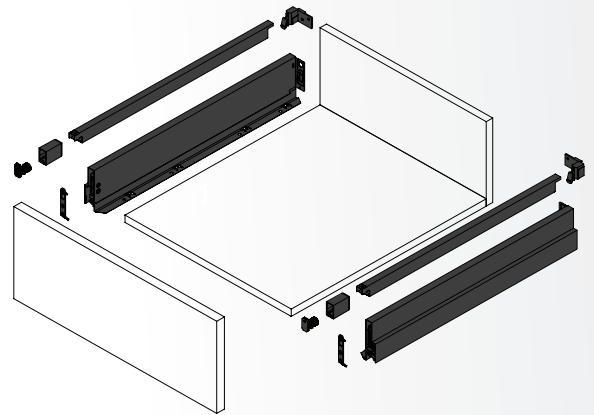
- *Snug-fitting rectangular railing.
- *Flush-fitting back panel adapter.
- *Minimum plastic parts.
- *Integrated height and side adjustment.
- *Tilt angle adjustment using railing.
- *Optimum use of space due to straight in side surfaces and low construction width.
- *Tool-free installation and removal of the front.
- *Width of bottom and back panel is the same.
- *Bottom panel machining not required.



Order Specification

NL	Weight
400mm	40kg
450mm	40kg
500mm	40kg
550mm	40kg
600mm	40kg

NL	Weight
500mm	70kg
550mm	70kg
600mm	70kg

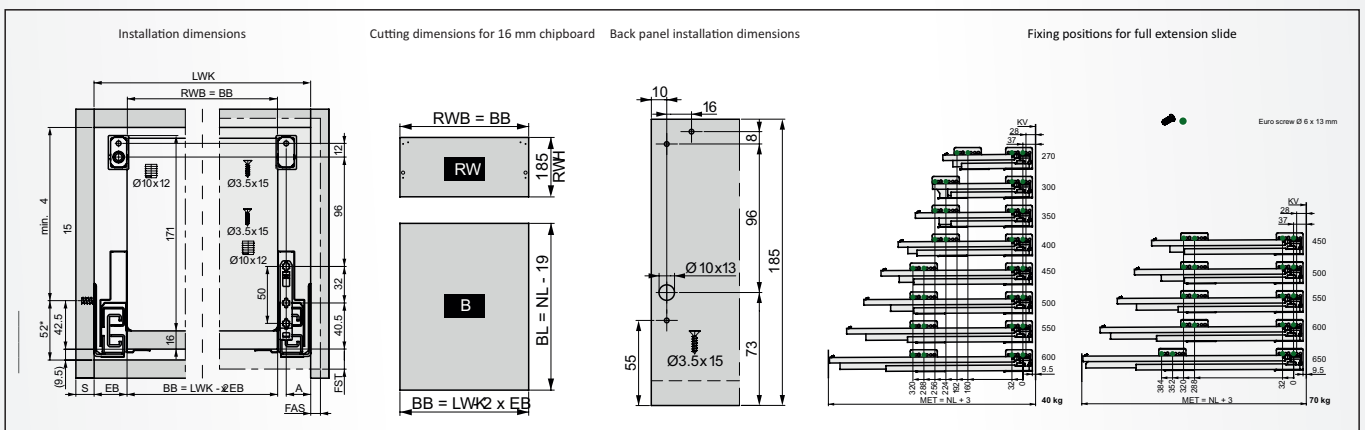


Technical Details

Installation Information

All dimensions in millimetres

S	16	18	19
EB	29	30	29
A	21.5	22.5	21.5



Nova Pro Scala Crystal Plus H186

Product Feature:

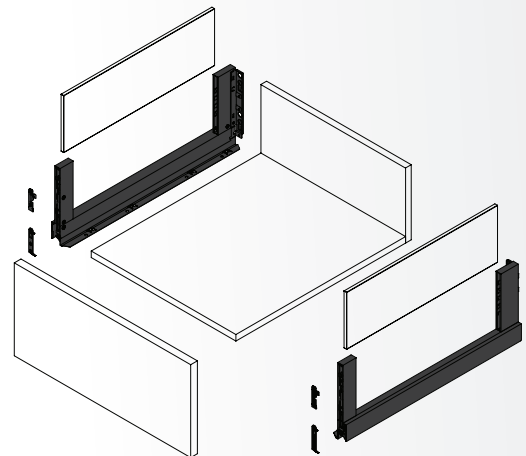
- *No processing of the slide-in elements necessary.
- *Patented clip technology makes it easy to slide the elements.
- *No additional cover caps.
- *High level of stability, also without front and slide-in elements.
- *Integrated height, side and tilt angle adjustment.
- *Optimum use of space due to straight inside surfaces and low construction width.
- *Tool-free installation and removal of the front.



Order Specification

NL	Weight
500mm	40kg
550mm	40kg

NL	Weight
500mm	70kg
550mm	70kg

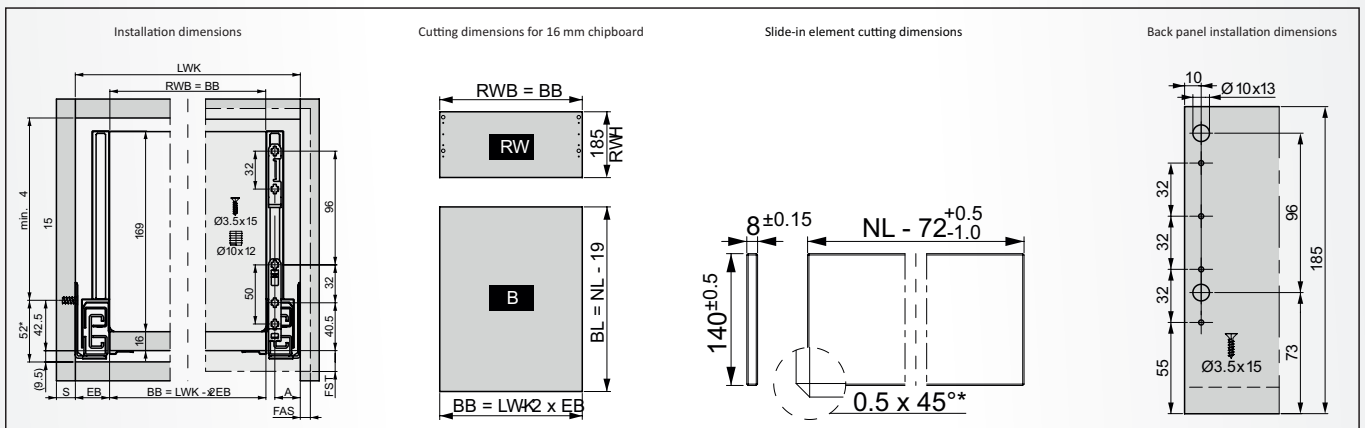


Technical Details

Installation Information

All dimensions in millimetres

S	16	18	19
EB	29	30	29
A	21.5	22.5	21.5



DRAWER SYSTEM NOVA PRO SCALA

Nova Pro Scala Inset Drawer H90

Product Feature:

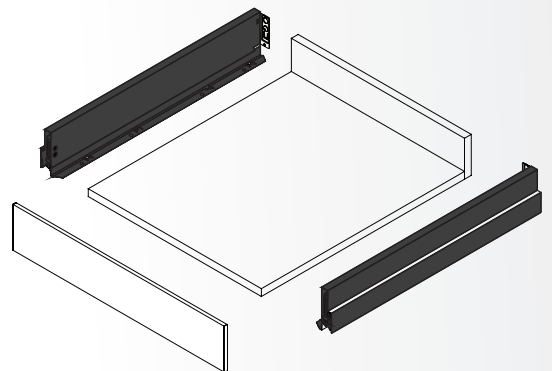
- *Colour-coordinated aluminium front panel profile.
- *High-quality design with smooth inside and outside surfaces.
- *Same dimensions as for standard drawers (inside depth).
- *Also for cutting to length.



Order Specification

NL	Weight
400mm	40kg
450mm	40kg
500mm	40kg
550mm	40kg
600mm	40kg

NL	Weight
500mm	70kg
550mm	70kg
600mm	70kg

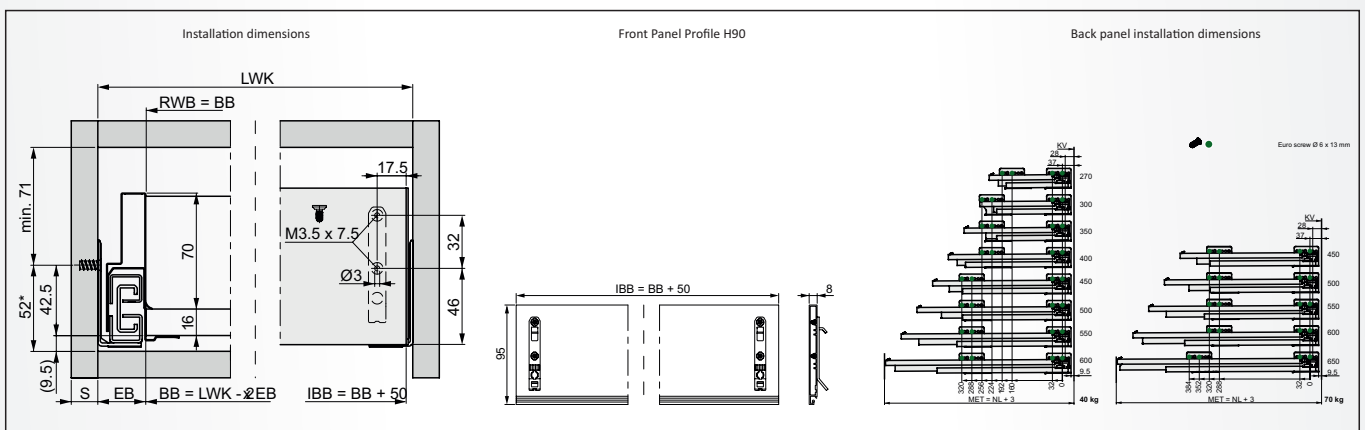


Technical Details

Installation Information

All dimensions in millimetres

S	16	18	19
EB	29	30	29
A	21.5	22.5	21.5

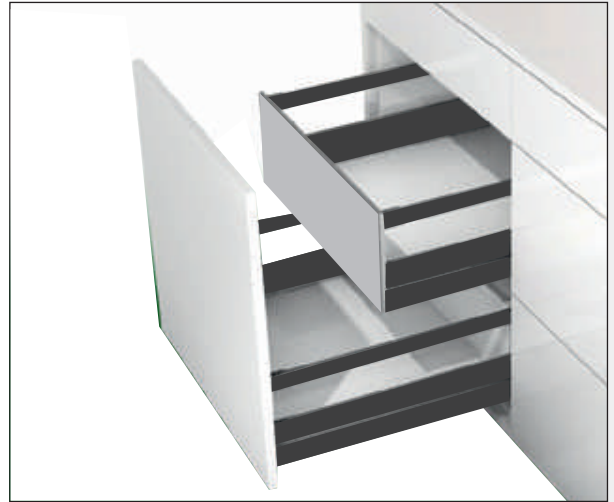


DRAWER SYSTEM NOVA PRO SCALA

Nova Pro Scala Inset Drawer H90 with Rectangular Railing

Product Feature:

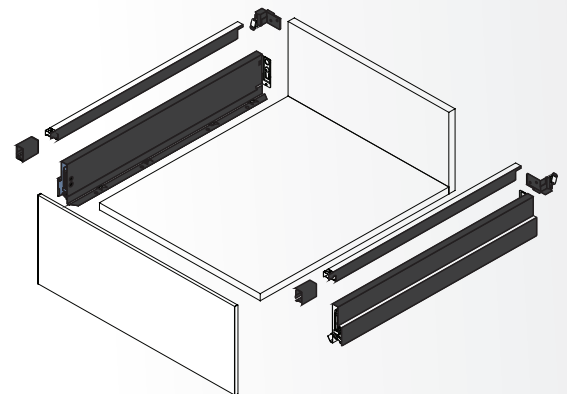
- *Colour co-ordinated aluminium front panel profile.
- *High-quality design with smooth inside and outside surfaces.
- *Same dimensions as for standard drawers (inside depth).
- *Also for cutting to length.



Order Specification

NL	Weight	
400mm	40kg	
450mm	40kg	
500mm	40kg	
550mm	40kg	
600mm	40kg	

NL	Weight	
500mm	70kg	
550mm	70kg	
600mm	70kg	

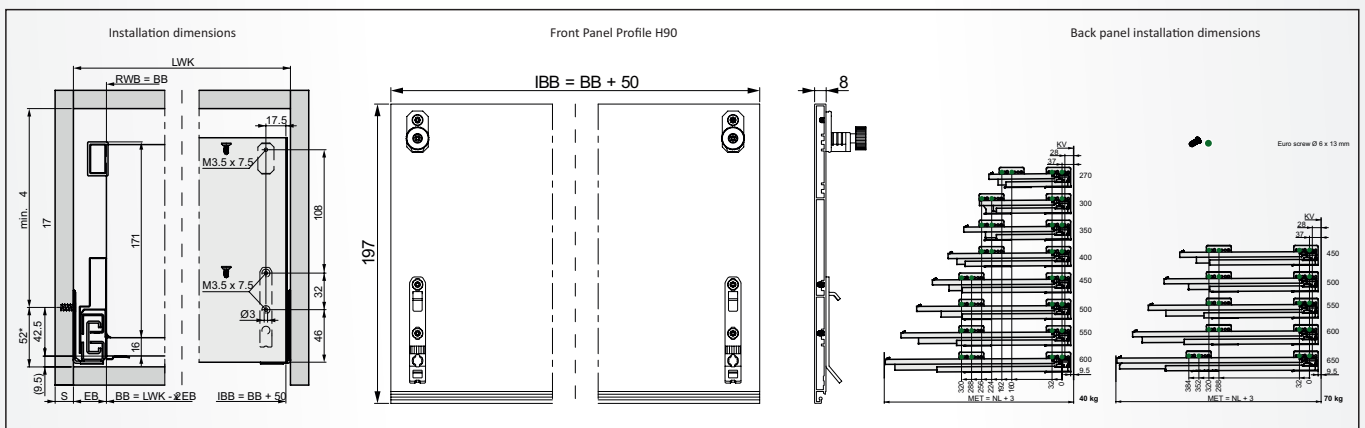


Technical Details

Installation Information

All dimensions in millimetres

S	16	18	19
EB	29	30	29
A	21.5	22.5	21.5



DRAWER SYSTEM NOVA PRO SCALA

Nova Pro Scala Inset Drawer H186 Crystal Plus

Product Feature:

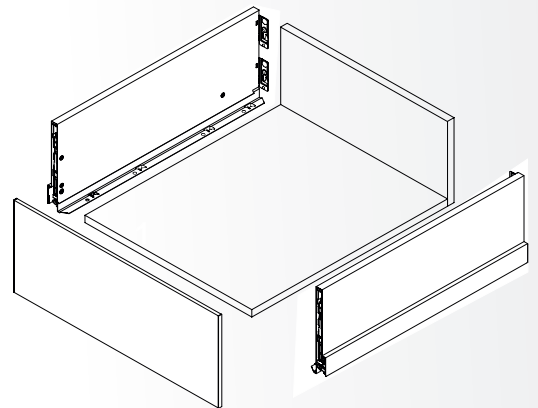
- *Colour co-ordinated aluminium front panel profile
- *High-quality design with smooth inside and outside surfaces
- *Same dimensions as for standard drawers (inside depth)
- *Also for cutting to length



Order Specification

NL	Weight	
500mm	40kg	
550mm	40kg	

NL	Weight	
500mm	70kg	
550mm	70kg	

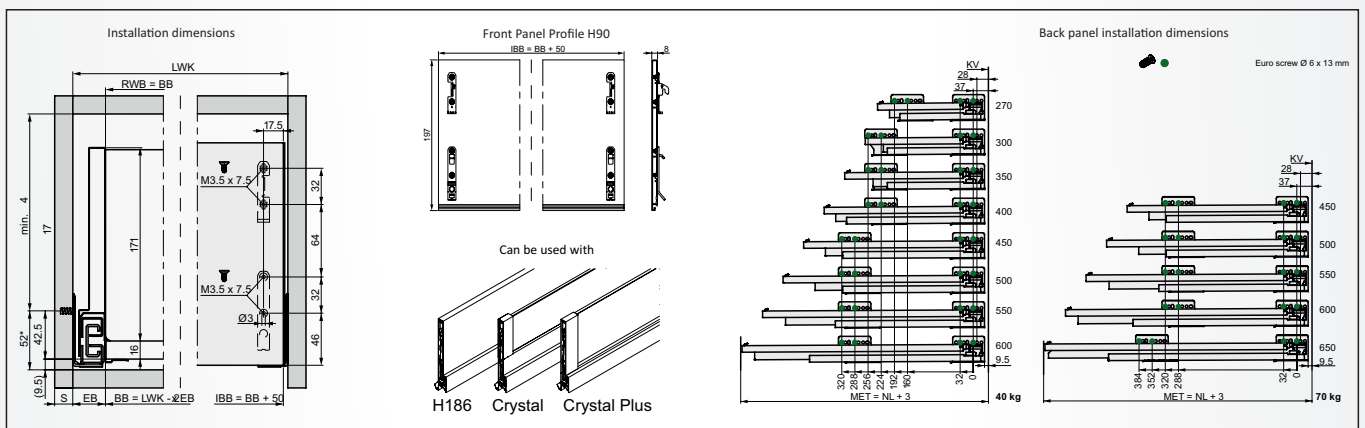


Technical Details

Installation Information

All dimensions in millimetres

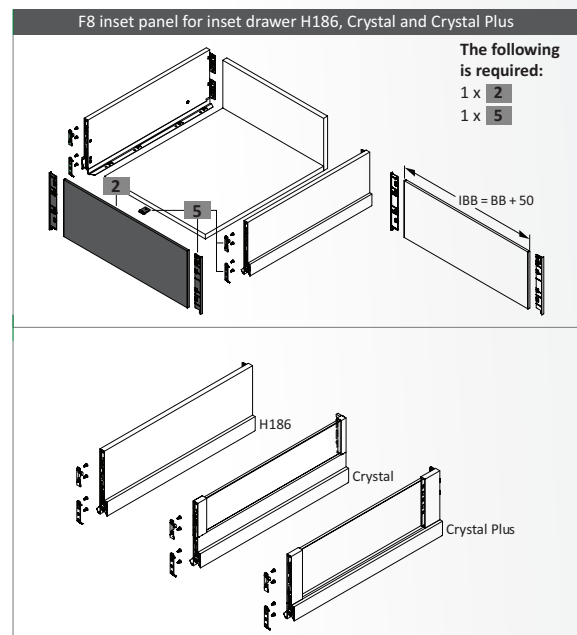
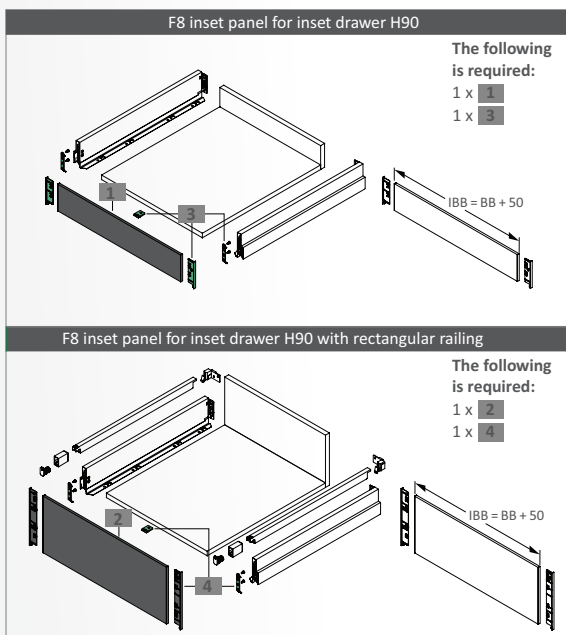
S	16	18	19
EB	29	30	29
A	21.5	22.5	21.5



Nova Pro Scala Inset Drawer Accessories

Order Information

1	<p>F8 inset panel for inset drawer H90 Single item: for cutting to length incl. cardboard drilling template.</p>	
2	<p>F8 inset panel for inset drawer H186, rectangular railing, Crystal and Crystal Plus Single item: for cutting to length incl. cardboard drilling template.</p>	
3	<p>Accessories F8 inset panel for inset drawer H90 Set: F8 cover cap (2x), installation hook (2x), special screws (4x) and front-bottom connector (2x).</p>	
4	<p>Accessories F8 inset panel for inset drawer H90 with rectangular railing Set: F8 cover cap (2x), installation hook (2x), special screws (6x) and front-bottom connector (2x).</p>	
5	<p>Accessories F8 inset panel for inset drawer H186, Crystal and Crystal Plus Set: F8 cover cap (2x), installation hook (2x), front clip (2x), special screws (8x) and front-bottom connector (2x).</p>	



VARUN IMPEX

Address:

Gala No.1 & 4, Plot No.21, Papdy
Industrial Estate, Umela Phata,
Vasai Road (West), Palghar - 401207.
Mob.: +91 9167883194
Email: varunimpexkba@gmail.com
Website: www.varunimpex.in